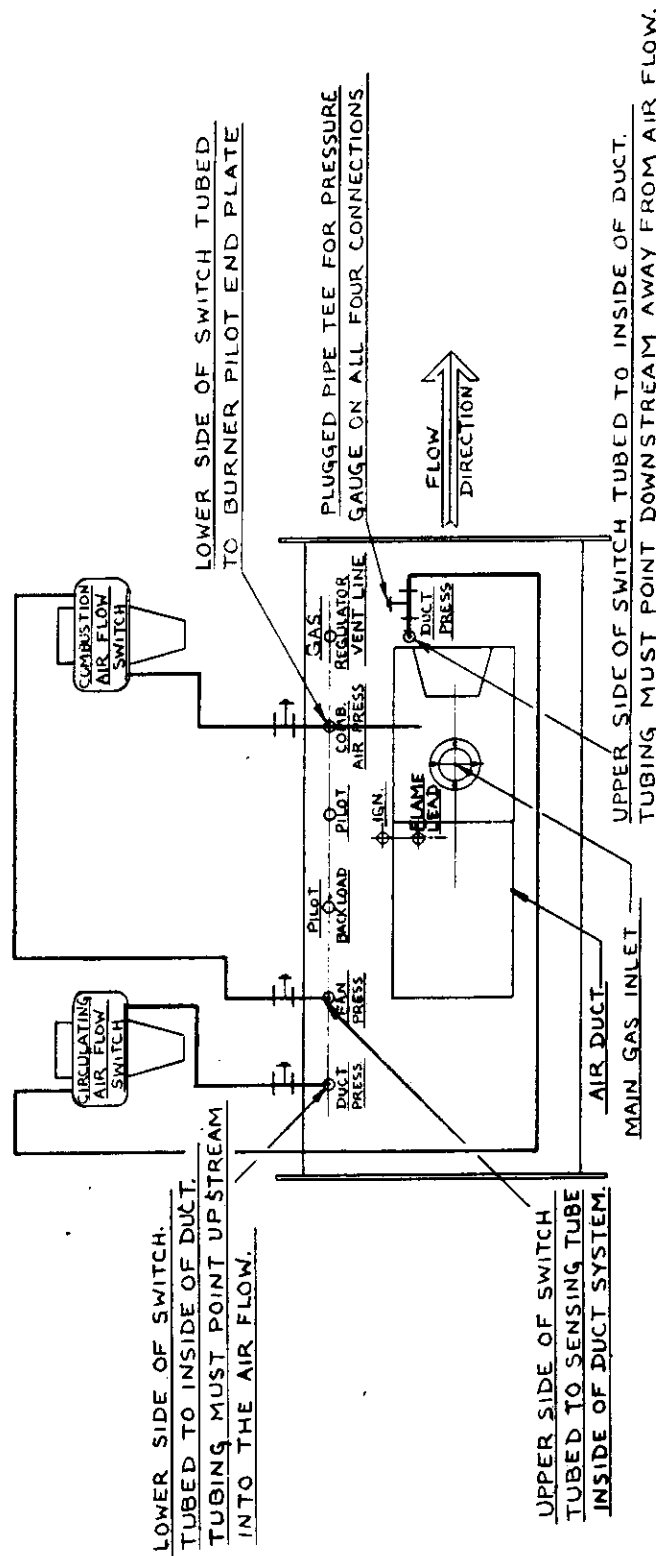


PRESSURE SWITCH CONNECTIONS FOR "RAH" BURNER, LARGE & SMALL DUCT SYSTEMS

DRAWING NO. 2TH-8271

NOTE:
1-SUCTION & PRESSURE SYSTEMS ARE BOTH
TUBED THE SAME AS SHOWN HERE.
2-THIS HOOK-UP ALSO COVERS TAHR BURNERS

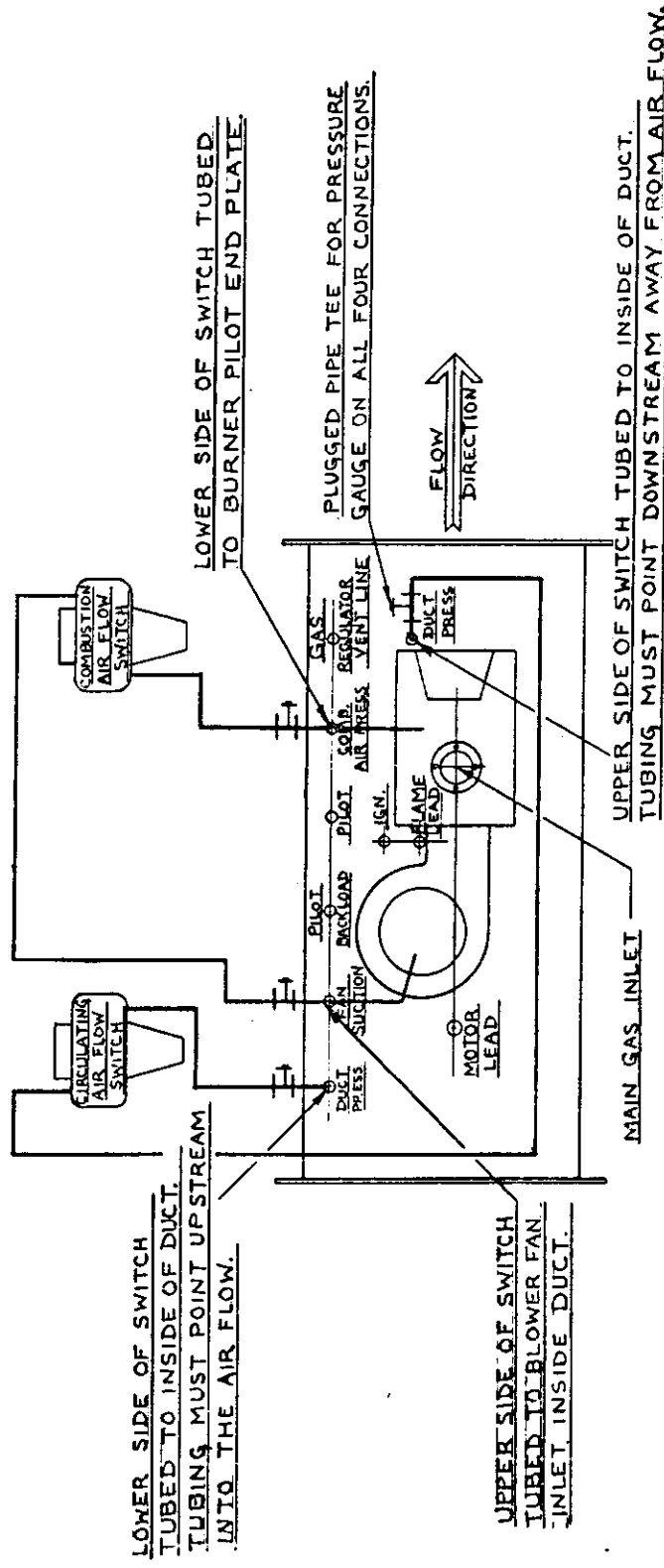


PRESSURE SWITCH CONNECTIONS FOR "AH" BURNER, LARGE & SMALL DUCT SYSTEMS

P-2
SP-219

DRAWING NO. 2TH-6075 R-1

NOTE:
 1-SUCTION & PRESSURE SYSTEMS ARE BOTH TUBED THE SAME AS SHOWN HERE.
 2-THIS HOOK-UP ALSO COVERS TAH BURNERS





Offered By:

Power Equipment Company
2011 Williamsburg Road
Richmond, Virginia 23231
Phone (804) 236-3800
Fax (804) 236-3882

www.peconet.com

sales@peconet.com